

CHAPTER 6 : OXFORD MAXI 160



Sunrise Medical is ISO 9001 certified, which ensures quality at all stages of the development and production of this hoist.

Contents

MODEL	SERIAL NO. RANGE	PAGE
OXFORD MAXI 160	FROM MA 53151 TO MA 74558	6.3
OXFORD MAXI 160 MARK II	FROM MA 74559 TO MA 83166	6.3
OXFORD MAXI 160 MARK II	FROM MA 83167 TO MA 15500	6.3
OXFORD MAXI 160 MARK II	FROM MA 74559 TO DATE	6.3

IMPORTANT

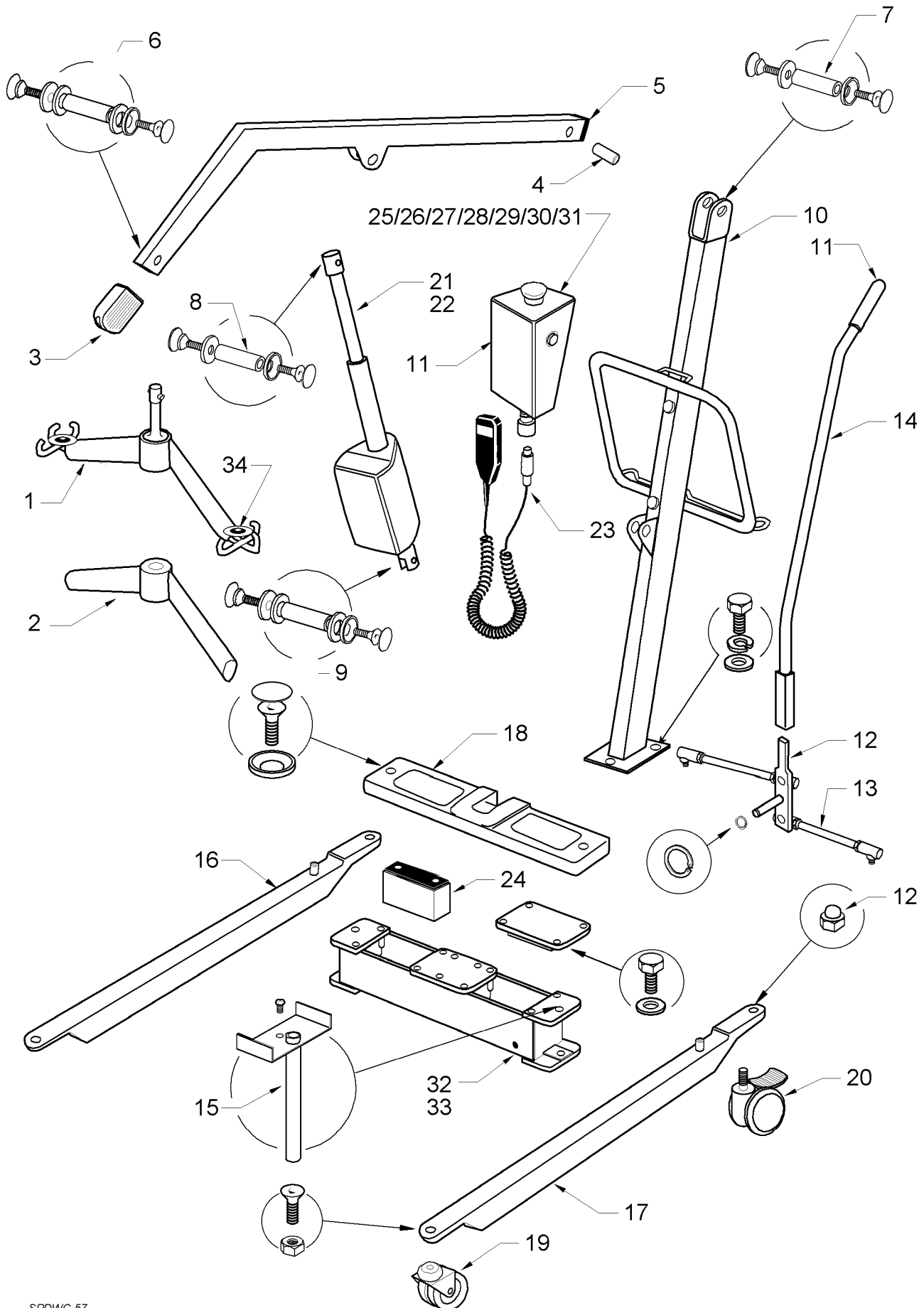
IT IS POTENTIALLY HAZARDOUS TO FIT OR USE ANY PARTS OTHER THAN GENUINE SUNRISE MEDICAL PARTS. THE COMPANY DISCLAIMS ALL LIABILITY FOR THE CONSEQUENCES OF SUCH USE, WHICH IN ADDITION VOIDS THE MACHINE WARRANTY.

THIS HOIST IS FOR THE CARRIAGE OF ONE PERSON AND MUST NOT BE USED FOR ANY OTHER PURPOSE.

OXFORD MAXI 160



This illustration and accompanying text set out in this Document is the Property of SUNRISE MEDICAL LTD. and must not be copied or used for manufacturing, tendering or any other purpose without their permission.



SPDWG 57

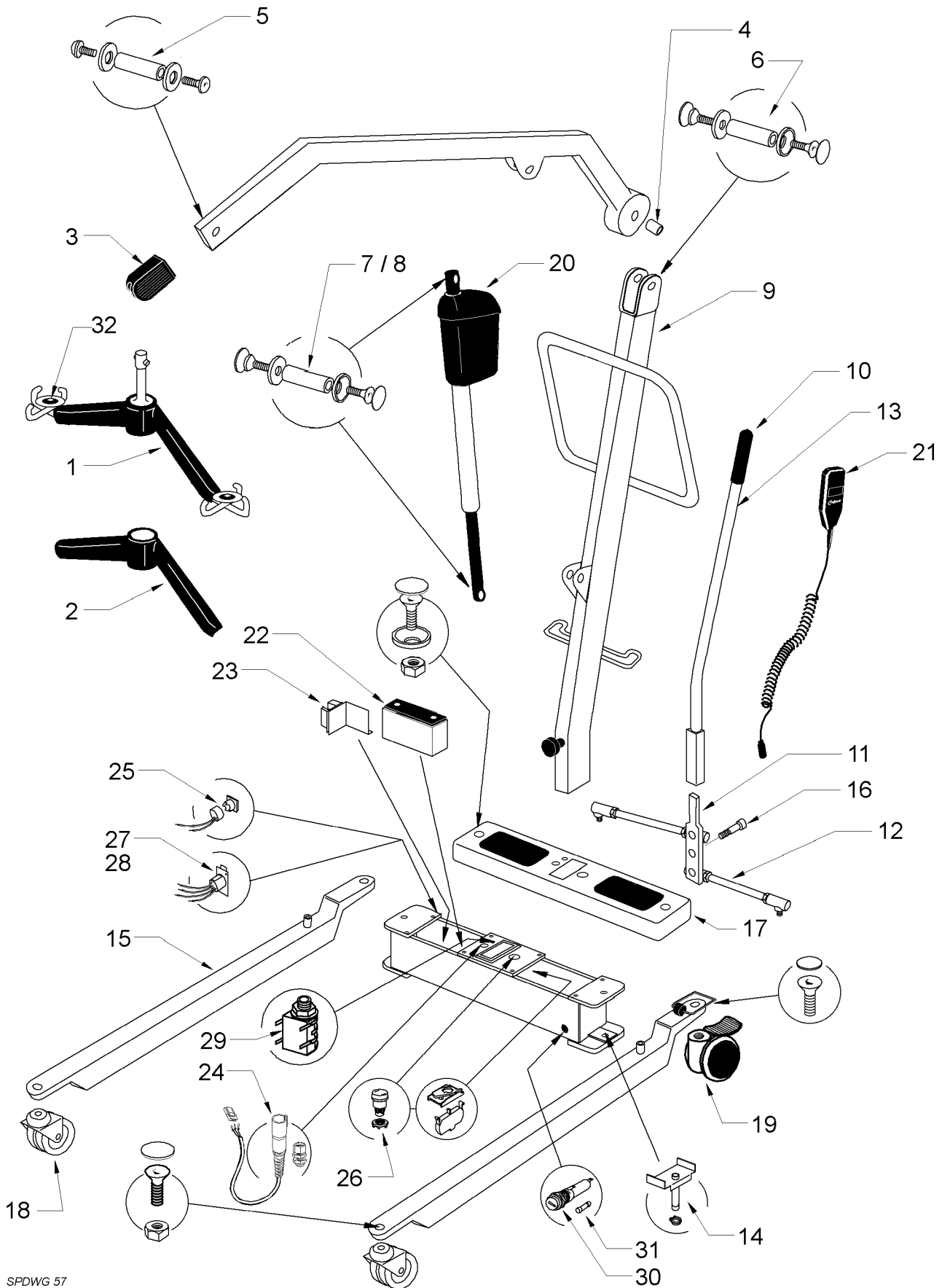
OXFORD MAXI 160

ITEM NO.	PART NO.	DESCRIPTION	QTY	SERIAL NO.
SERIAL NUMBERS MA53151 TO MA74558				
1	808003.10021	SPREADER BAR COMPLETE	Kit	
2	EM-2993	SPREADER BAR COVER	1	
3	14003	BOOM END PADDING	1	
4	14006	BOOM BEARING (12mm)	1	
5	14009	BOOM END CAP	1	
6	808003.10025	SPREADER BAR FULCRUM PIN	Kit	
7	808003.10026	BOOM/MAST FULCRUM PIN	Kit	
8	808003.10027	RAM/BOOM FULCRUM PIN	Kit	
9	808003.10028	RAM/MAST FULCRUM PIN	Kit	
10	16077	MAST ONLY	1	
11	323.12040	HAND GRIP	1	
12	17579	LEG ADJUSTER LEVER	1	
13	17580	LEG ADJUSTER LINKAGE	1	
14	17581	LEG ADJUSTER HANDLE	1	
15	17582	LEG PIN ASSEMBLY	1	
16	16083	RIGHT LEG ONLY	1	
17	16084	LEFT LEG ONLY	1	
18	17585	CROSSMEMBER PLASTIC COVER	1	
19	311.32210	FRONT CASTOR 75mm PLAIN TWIN	1	
20	13526	REAR BRAKED CASTOR - 100mm TWIN	1	
21	14030	ACTUATOR - LINAK LA38 (TO MA61000)	1	
22	17586	ACTUATOR - LINAK LA32 (FROM MA61000)	1	
23	14042	HANDCONTROL - LINAK 8 PIN	1	
24	14052	BATTERY - 6V 12AHR	1	
25	17640	CONTROL BOX COMPLETE (CLARKES PCB)	1	
26	17542	CONTROL PCB - LINAK CS1600-14-24 (NON-PREFERRED)	1	
27	17543	BLEEPER PCB	1	
28	17544	CONTROL PCB - CLARKES (PREFERRED)	1	
29	13566	HANDCONTROL SOCKET (EXTENDED TYPE)	1	
30	17567	CHARGING SOCKET (JACK PLUG TYPE)	1	
31	14083	JACK PLUG - 3 POLE	1	
32	808003.10018	FUSEHOLDER COMPLETE	Kit	
33	335.00020	FUSE 25A	10	
ND	14062	CHARGER - UK 240V - JACK PLUG	1	
ND	14065	CHARGER - EURO 220V - JACK PLUG	1	
ND	14068	CHARGER - USA 110V - JACK PLUG	1	
34	808003.10013	SLING RETAINER ASSEMBLY	Kit	

OXFORD MAXI 160 MARK II



This illustration and accompanying text set out in this Document is the Property of SUNRISE MEDICAL LTD. and must not be copied or used for manufacturing, tendering or any other purpose without their permission.



SPDWG 57

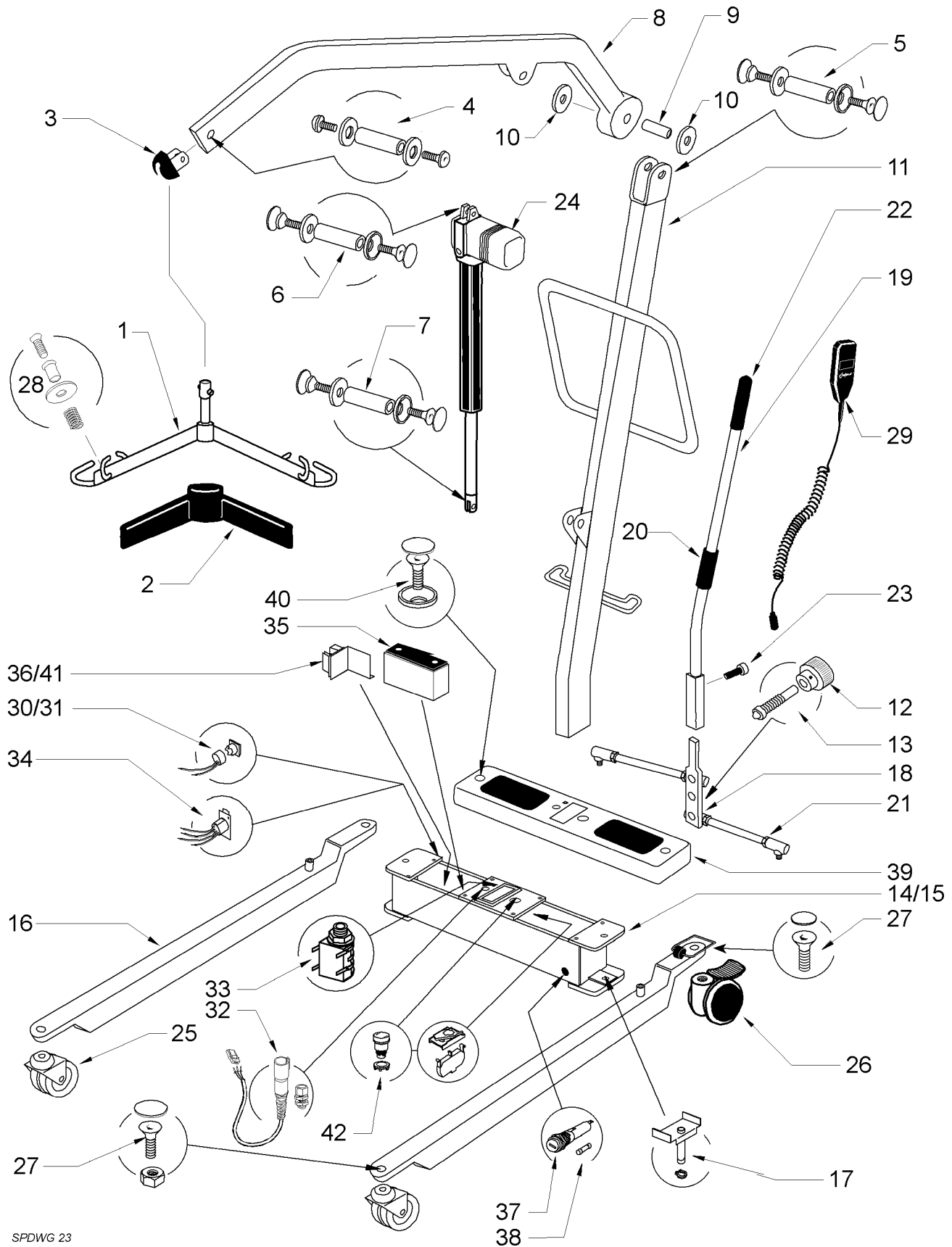
OXFORD MAXI 160 MARK II

ITEM NO.	PART NO.	DESCRIPTION	QTY	SERIAL NO.
SERIAL NUMBERS MA74559 TO MA83166				
1	808003.10021	SPREADER BAR COMPLETE	Kit	
2	EM-2993	SPREADER BAR COVER	1	
3	14003	BOOM END PADDING	1	
4	17601	BOOM BEARING (12mm)	1	
5	808003.10025	SPREADER BAR FULCRUM PIN	Kit	
6	808003.10026	BOOM/MAST FULCRUM PIN	Kit	
7	808003.10027	RAM/BOOM FULCRUM PIN	Kit	
8	808003.10028	RAM/MAST FULCRUM PIN	Kit	
9	16104	MAST ONLY	1	
10	323.12040	HAND GRIP	1	
11	17073	LEG ADJUSTER LEVER	1	
12	17580	LEG ADJUSTER LINKAGE	1	
13	17581	LEG ADJUSTER HANDLE	1	
14	17582	LEG PIN ASSEMBLY	1	
15	17606	LEG ONLY	1	
16	17609	LEG ADJUSTER SHOULDER SCREW	1	
17	17006	CROSSMEMBER PLASTIC COVER	1	
18	311.32210	FRONT CASTOR 75mm PLAIN TWIN	1	
19	13526	REAR BRAKED CASTOR - 100mm TWIN	1	
20	17650	ACTUATOR - SKF 24V	1	
21	14042	HANDCONTROL - LINAK 8 PIN	1	
22	337-00045	BATTERY - 12V 7AHR	1	
23	17544	CONTROL PCB - CLARKES	1	
24	13566	HANDCONTROL SOCKET (EXTENDED TYPE)	1	
25	215-032	DESCENT BUTTON (PUSH BUTTON)	1	
26	808003.10017	EMERGENCY STOP BUTTON	1	
27	187.10000	XLR CHARGING SOCKET	1	
28	14093	XLR PLUG - 4 PIN	1	
29	332.00027	ACTUATOR SOCKET	1	
30	808003.10018	FUSEHOLDER COMPLETE	Kit	
31	335.00020	FUSE 25A	10	
ND	14090	CHARGER - UK 240V - XLR PLUG	1	
ND	14091	CHARGER - EURO 220V - XLR PLUG	1	
ND	14092	CHARGER - USA 110V - XLR PLUG	1	
32	808003.10013	SLING RETAINER ASSEMBLY	Kit	

OXFORD MAXI 160 MARK II



This illustration and accompanying text set out in this Document is the Property of SUNRISE MEDICAL LTD. and must not be copied or used for manufacturing, tendering or any other purpose without their permission.



SPDWG 23

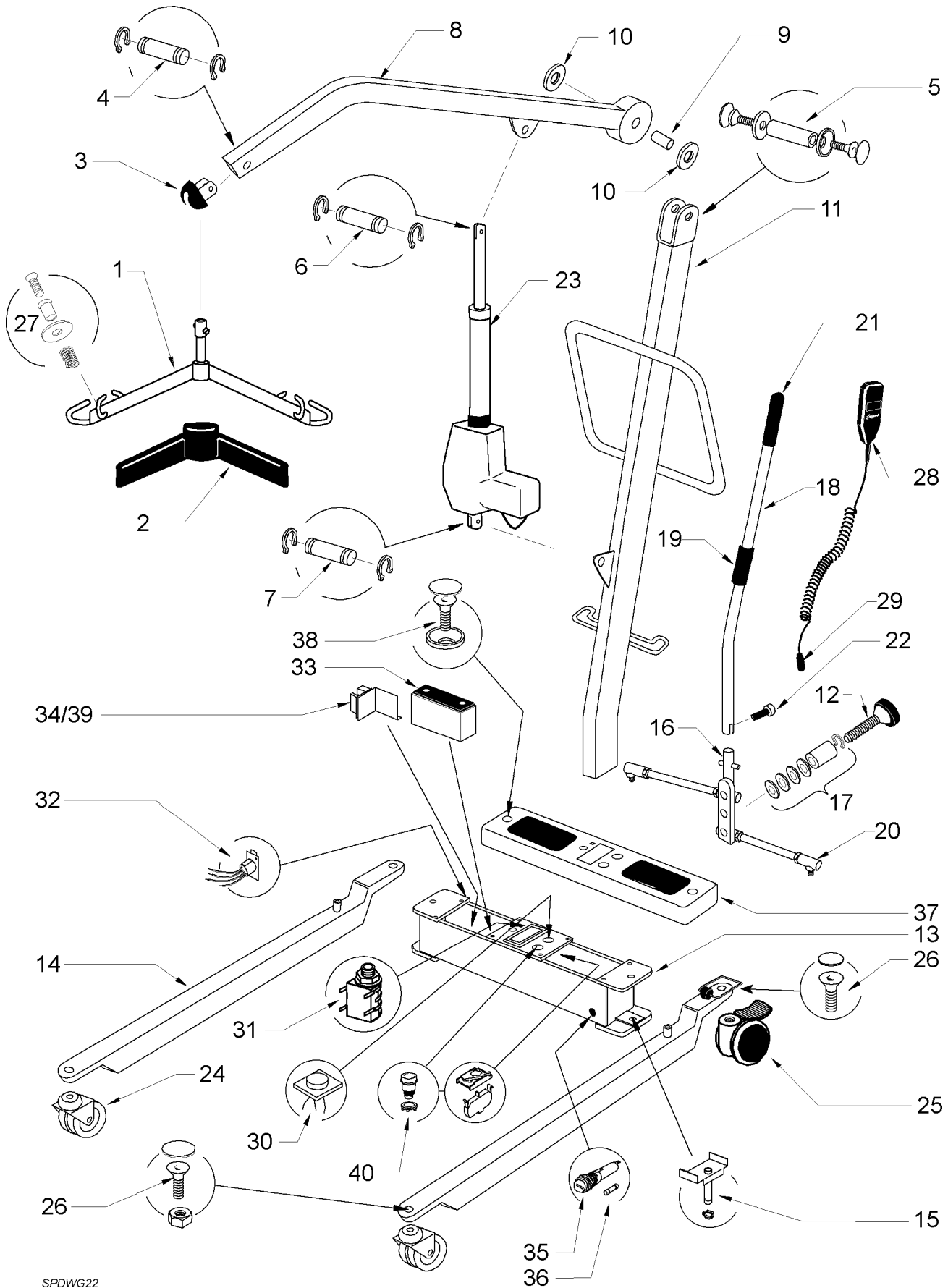
OXFORD MAXI 160 MARK II

ITEM NO.	PART NO.	DESCRIPTION	QTY	SERIAL NO.
SERIAL NUMBERS FROM 83167 TO 15500				
1	808003.10021	SPREADER BAR (WHITE) COMPLETE	Kit	
2	EM-2993	SPREADER BAR COVER (BLACK)	1	
3	EM-2729	BOOM END CAP	1	
4	808003.10025	SPREADER BAR FULCRUM PIN COMPLETE	Kit	
5	808003.10026	BOOM/MAST FULCRUM PIN COMPLETE	Kit	
6	808003.10035	RAM/BOOM FULCRUM PIN COMPLETE	Kit	
7	808003.10028	RAM/MAST FULCRUM PIN COMPLETE	Kit	
8	EM-3220	BOOM ONLY	1	
9	EM-2644	BOOM BEARING	1	
10	EM-2544	BOOM BLACK PLASTIC WASHER	1	
11	MA-2732	MAST ONLY	1	
12	322.42040	MAST LOCKING KNOB	1	
13	EM-2468	MAST LOCKING SPINDLE	1	
14	240-012	CROSSMEMBER (FROM 75739 TO 84581)	1	
15	808003.10034	CROSSMEMBER (FROM 84582)	Kit	
16	MA-2248	LEG ONLY	1	
17	808003.10029	LEG PIVOT PIN COMPLETE	Kit	
18	EM-2419	LEG ADJUSTER PLATE	1	
19	808003.10030	LEG ADJUSTER HANDLE COMPLETE	Kit	
20	SA-3010	LEG ADJUSTING HANDLE ROLLER	1	
21	EM-2679	LEG ADJUSTER LINKAGE	1	
22	323.12040	LEG ADJUSTER HANDLE GRIP	1	
23	211.43350	LEG ADJUSTER HANDLE RETAINING SCREW	1	
24	338.00039	EMS ACTUATOR	1	
25	311.32210	FRONT CASTORS 75mm PLAIN	2	
26	EM-3700	REAR CASTORS 100mm BRAKED	2	
27	808003.10031	CASTOR FIXINGS	Kit	
28	808003.10013	SLING RETAINER ASSEMBLY	Kit	
29	EM-3629	HANDCONTROL	1	
30	215-032	EMERGENCY DOWN SWITCH (PUSH - TO EM84581)	1	
31	333.00020	EMERGENCY DOWN SWITCH (ROCKER - FROM EM84582)	1	
32	13566	EXTENDED HANDCONTROL SOCKET	1	
33	332.00027	ACTUATOR SOCKET	1	
34	187.10000	CHARGING SOCKET (4 PIN XLR)	1	
35	337.00045	BATTERY 12 VDC 7 AHR	1	
36	332.00035	CONTROL PCB EDGE CONNECTOR	1	
37	808003.10018	FUSEHOLDER COMPLETE	Kit	
38	335.00020	FUSE 25 A	10	
39	EM-2608	CROSSMEMBER COVER (MKII)	1	
40	808003.10032	CROSSMEMBER COVER FIXINGS	Kit	
41	336.00021	CONTROL PCB - CLARKES	1	
42	808003.10017	EMERGENCY STOP SWITCH COMPLETE	Kit	

OXFORD MAXI 160 MARK II



This illustration and accompanying text set out in this Document is the Property of SUNRISE MEDICAL LTD. and must not be copied or used for manufacturing, tendering or any other purpose without their permission.



SPDWG22

OXFORD MAXI 160 MARK II

ITEM NO.	PART NO.	DESCRIPTION	QTY	SERIAL NO.
SERIAL NUMBERS FROM 15500 TO DATE				
1	808003.10021	SPREADER BAR (WHITE) COMPLETE	Kit	
2	EM-2993	SPREADER BAR COVER (BLACK)	1	
3	EM-2729	BOOM END CAP	1	
4	808003.10039	SPREADER BAR FULCRUM PIN COMPLETE	Kit	
5	808003.10026	BOOM/MAST FULCRUM PIN COMPLETE	Kit	
6	808003.10040	RAM/BOOM FULCRUM PIN COMPLETE	Kit	
7	808003.10041	RAM/MAST FULCRUM PIN COMPLETE	Kit	
8	EM-3697	BOOM ONLY	1	
9	EM-2644	BOOM BEARING	1	
10	EM-2544	BOOM BLACK PLASTIC WASHER	1	
11	MA-3740	MAST ONLY	1	
12	324.02026	MAST LOCKING KNOB	1	
13	808003.10042	CROSSMEMBER ASSEMBLY	Kit	
14	MA-2248	LEG ONLY	1	
15	808003.10029	LEG PIVOT PIN COMPLETE	Kit	
16	808003.10009	LEG ADJUSTER PLATE	1	
17	808003.10010	LEG ADJUSTER SPRING ASSEMBLY	1	
18	808003.10036	LEG ADJUSTER HANDLE COMPLETE	Kit	
19	808003.10012	LEG ADJUSTING HANDLE ROLLER AND FITTINGS	1	
20	EM-2679	LEG ADJUSTER LINKAGE	1	
21	323.12040	LEG ADJUSTER HANDLE GRIP	1	
22	211.43350	LEG ADJUSTER HANDLE RETAINING SCREW	1	
23	EL-4017	LA34 ACTUATOR - LINAK	1	
24	311.32210	FRONT CASTORS 75mm PLAIN	2	
25	EM-3700	REAR CASTORS 100mm BRAKED	2	
26	808003.10031	CASTOR FIXINGS	Kit	
27	808003.10013	SLING RETAINER ASSEMBLY	Kit	
28	EM-3629	HANDCONTROL	1	
29	000184.4005	HANDCONTROL PLUG	1	
30	EL-3711	HANDCONTROL SOCKET (3 PIN AXL)	1	
31	332.00027	ACTUATOR SOCKET	1	
32	187.10000	CHARGING SOCKET (4 PIN XLR)	1	
33	337.00045	BATTERY 12 VDC 7 AHR	1	
34	332.00035	CONTROL PCB EDGE CONNECTOR	1	
35	808003.10018	FUSEHOLDER COMPLETE	Kit	
36	335.00020	FUSE 25 A	10	
37	EM-3343	CROSSMEMBER COVER (MKIII)	1	
38	808003.10038	CROSSMEMBER COVER FIXINGS	Kit	
39	200001.10250	CONTROL PCB - CLARKES - SET FOR MAJOR	1	
40	808003.10017	EMERGENCY STOP SWITCH COMPLETE	Kit	

This page is intentionally blank